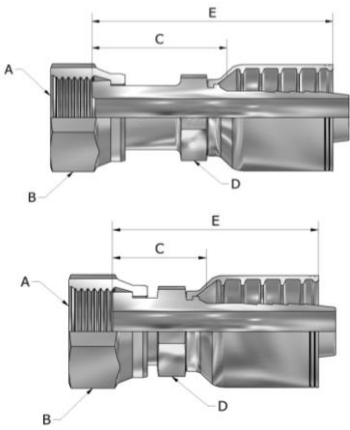


DE203 SERIES(Female Seal Lok O-Ring Face Seal Straight)

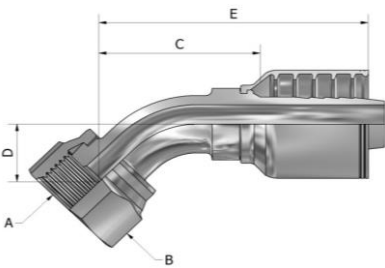
USL



PART NUMBER	Products Description									
	Hose In-Dia	Thread UNF	Nut Hex		Tail-Growth		Nipple Hex		Overall length	
			MM	Inch	MM	Inch	MM	Inch	MM	Inch
			A		B		C		D	
DE203-09-04	1/4	9/16-18	17.5	0.69	33.1	1.30	14.3	0.56	52.7	2.07
DE203-09-04S	1/4	9/16-18	17.5	0.69	22.0	0.87	14.3	0.56	42.3	1.67
DE203-09-06	3/8	9/16-18	17.5	0.69	33.5	1.32	17.5	0.69	60.7	2.39
DE203-11-04	1/4	11/16-16	22.0	0.87	31.6	1.24	17.5	0.69	51.2	2.02
DE203-11-04S	1/4	11/16-16	22.0	0.87	23.0	0.91	17.5	0.69	42.6	1.68
DE203-11-06	3/8	11/16-16	22.0	0.87	32.2	1.27	17.5	0.69	59.4	2.34
DE203-11-06S	3/8	11/16-16	22.0	0.87	23.6	0.93	17.5	0.69	50.8	2.00
DE203-11-08	1/2	11/16-16	22.0	0.87	32.7	1.29	20.6	0.81	62.9	2.48
DE203-13-06	3/8	13/16-16	23.8	0.94	38.5	1.52	20.6	0.81	65.7	2.59
DE203-13-06S	3/8	13/16-16	23.8	0.94	25.1	0.99	20.6	0.81	52.3	2.06
DE203-13-08	1/2	13/16-16	23.8	0.94	39.8	1.57	22.0	0.87	70.0	2.76
DE203-13-08S	1/2	13/16-16	23.8	0.94	25.5	1.00	22.0	0.87	55.7	2.19
DE203-16-06	3/8	1"-14	30.0	1.18	44.5	1.75	23.8	0.94	71.7	2.82
DE203-16-08	1/2	1"-14	30.0	1.18	42.8	1.69	23.8	0.94	73.0	2.87
DE203-16-08S	1/2	1"-14	30.0	1.18	27.6	1.09	23.8	0.94	57.8	2.28
DE203-16-10	5/8	1"-14	30.0	1.18	43.3	1.70	23.8	0.94	78.6	3.09
DE203-16-10S	5/8	1"-14	30.0	1.18	28.1	1.11	23.8	0.94	63.4	2.50
DE203-16-12	3/4	1"-14	30.0	1.18	46.0	1.81	27.0	1.06	81.4	3.20
DE203-19-08	1/2	1-3/16-12	36.0	1.42	48.1	1.89	28.6	1.12	78.3	3.08
DE203-19-10	5/8	1-3/16-12	36.0	1.42	48.0	1.89	28.6	1.12	83.3	3.28
DE203-19-10S	5/8	1-3/16-12	36.0	1.42	32.7	1.29	28.6	1.12	67.9	2.67
DE203-19-12	3/4	1-3/16-12	36.0	1.42	48.6	1.91	28.6	1.12	84.0	3.31
DE203-19-12S	3/4	1-3/16-12	36.0	1.42	32.6	1.28	28.6	1.12	68.0	2.68
DE203-19-16	1"	1-3/16-12	36.0	1.42	51.5	2.03	35.0	1.38	92.3	3.63
DE203-23-12	3/4	1-7/16-12	41.0	1.61	50.2	1.98	35.0	1.38	85.6	3.37
DE203-23-16	1"	1-7/16-12	41.0	1.61	51.1	2.01	35.0	1.38	91.9	3.62
DE203-23-16S	1"	1-7/16-12	41.0	1.61	38.9	1.53	35.0	1.38	79.7	3.14
DE203-23-20	1-1/4	1-7/16-12	41.0	1.61	52.2	2.06	44.5	1.75	95.8	3.77
DE203-27-16	1"	1-11/16-12	50.0	1.97	55.2	2.17	41.0	1.61	96.0	3.78
DE203-27-20	1-1/4	1-11/16-12	50.0	1.97	52.1	2.05	46.0	1.81	95.8	3.77
DE203-27-20S	1-1/4	1-11/16-12	50.0	1.97	39.4	1.55	46.0	1.81	83.1	3.27
DE203-32-24	1-1/2	2"-12	60.0	2.36	64.0	2.52	50.8	2.00	98.4	3.87
DE203-32-24S	1-1/2	2"-12	60.0	2.36	41.4	1.63	50.8	2.00	75.8	2.98

DE243 SERIES(Female Seal Lok O-Ring Face Seal 45° Elbow)

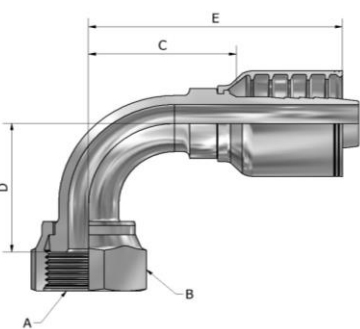
USL



PART NUMBER	Products Description									
	Hose In-Dia	Thread UNF	Nut Hex		Tail-Growth		Drop		Overall Length	
			MM	Inch	MM	Inch	MM	Inch	MM	Inch
			A		B		C		D	
DE243-09-04	1/4	9/16-18	17.5	0.69	30.5	1.20	10.0	0.39	50.8	2.00
DE243-11-04	1/4	11/16-16	22.0	0.87	31.3	1.23	10.9	0.43	50.9	2.00
DE243-11-06	3/8	11/16-16	22.0	0.87	33.7	1.33	11.0	0.43	60.9	2.40
DE243-13-06	3/8	13/16-16	23.8	0.94	39.6	1.56	15.0	0.59	66.8	2.63
DE243-13-08	1/2	13/16-16	23.8	0.94	41.0	1.61	15.0	0.59	71.2	2.80
DE243-16-08	1/2	1"-14	30.0	1.18	43.6	1.72	16.0	0.63	73.8	2.91
DE243-16-10	5/8	1"-14	30.0	1.18	44.2	1.74	16.0	0.63	79.4	3.13
DE243-19-10	5/8	1-3/16-12	36.0	1.42	56.8	2.24	21.0	0.83	92.1	3.63
DE243-19-12	3/4	1-3/16-12	36.0	1.42	56.8	2.24	21.1	0.83	92.2	3.63
DE243-23-12	3/4	1-7/16-12	41.0	1.61	62.2	2.45	26.5	1.04	97.6	3.84
DE243-23-16	1"	1-7/16-12	41.0	1.61	70.2	2.76	24.0	0.94	111.0	4.37
DE243-23-20	1-1/4	1-7/16-12	41.0	1.61	68.9	2.71	24.0	0.94	112.6	4.43
DE243-27-20	1-1/4	1-11/16-12	50.0	1.97	101.2	3.98	41.0	1.61	144.9	5.70
DE243-32-24	1-1/2	2"-12	60.0	2.36	119.9	4.72	48.0	1.89	154.3	6.07

DE293 SERIES(Female Seal Lok O-Ring Face Seal 90° Elbow)

USL



PART NUMBER	Products Description									
	Hose In-Dia	Thread UNF	Nut Hex		Tail-Growth		Drop		Overall Length	
			MM	Inch	MM	Inch	MM	Inch	MM	Inch
			A		B		C		D	
DE293-09-04	1/4	9/16-18	17.5	0.69	25.7	1.01	21.1	0.83	46.0	1.81
DE293-09-04D46	1/4	9/16-18	17.5	0.69	25.7	1.01	46.0	1.81	46.0	1.81
DE293-11-04	1/4	11/16-16	22.0	0.87	25.7	1.01	23.0	0.91	45.3	1.78
DE293-11-06	3/8	11/16-16	22.0	0.87	30.3	1.19	23.0	0.91	57.5	2.26
DE293-11-06D54	3/8	11/16-16	22.0	0.87	30.3	1.19	54.0	2.13	57.5	2.26
DE293-11-06D75	3/8	11/16-16	22.0	0.87	30.3	1.19	75.0	2.95	57.5	2.26
DE293-13-06	3/8	13/16-16	23.8	0.94	32.2	1.27	29.0	1.14	59.4	2.34
DE293-13-06D64	3/8	13/16-16	23.8	0.94	32.2	1.27	64.0	2.52	59.4	2.34
DE293-13-08	1/2	13/16-16	23.8	0.94	34.8	1.37	29.0	1.14	65.0	2.56
DE293-13-08B	1/2	13/16-16	23.8	0.94	32.5	1.28	29.3	1.15	62.7	2.47
DE293-13-08D63.8	1/2	13/16-16	23.8	0.94	34.8	1.37	63.8	2.51	65.0	2.56
DE293-16-08	1/2	1"-14	30.0	1.18	37.9	1.49	32.0	1.26	68.1	2.68
DE293-16-08D70	1/2	1"-14	30.0	1.18	34.9	1.37	70.0	2.76	65.1	2.56
DE293-16-10	5/8	1"-14	30.0	1.18	39.3	1.55	32.0	1.26	74.6	2.94
DE293-16-10D70	5/8	1"-14	30.0	1.18	39.3	1.55	70.0	2.76	74.6	2.94
DE293-19-08	1/2	1-3/16-12	36.0	1.42	34.8	1.37	43.0	1.69	65.0	2.56
DE293-19-10	5/8	1-3/16-12	36.0	1.42	45.7	1.80	48.0	1.89	81.0	3.19
DE293-19-12	3/4	1-3/16-12	36.0	1.42	53.3	2.10	48.0	1.89	88.7	3.49
DE293-19-12D96	3/4	1-3/16-12	36.0	1.42	53.3	2.10	96.0	3.78	88.7	3.49
DE293-23-12	3/4	1-7/16-12	41.0	1.61	53.3	2.10	56.0	2.20	88.7	3.49
DE293-23-16	1"	1-7/16-12	41.0	1.61	68.5	2.70	56.0	2.20	109.3	4.30
DE293-23-16D114	1"	1-7/16-12	41.0	1.61	68.5	2.70	114.0	4.49	109.3	4.30
DE293-23-20	1-1/4	1-7/16-12	41.0	1.61	67.2	2.65	58.0	2.28	110.9	4.37
DE293-27-16	1"	1-11/16-12	50.0	1.97	63.8	2.51	75.0	2.95	104.6	4.12
DE293-27-20	1-1/4	1-11/16-12	50.0	1.97	85.8	3.38	82.0	3.23	129.5	5.10
DE293-32-20	1-1/4	2"-12	60.0	2.36	85.8	3.38	84.0	3.3	129.5	5.10